

# MT30 Grounding Unit



www.isoilmeter.com



## MT30 Grounding Unit

The electronic grounding unit **MT30** allows safe loading and unloading of mobile tanks (mounted on trucks, wagons or trolleys and also big bags) in which flammable substances are poured at high speed generating electrostatic charges that can cause sparks and explosions.

MT 30 has been designed and built on the basis of ATEX 94/9/CE directive with type of protection EEx-d [ia] IIB T6 and completely water tight (IP 66).

To prevent the accumulation of static electricity, the device verifies that the correct connection to ground is performed before starting the loading procedure; in this way dangerous situations due to failures and human errors can be avoided. The device is connected through a bipolar cable, wound in a cable reel, and clamp to a mobile tank.

With MT30/2 it's possible to connect separately two cables with corresponding clamp, e.g. one to the trailer and one to the semi-trailer.

The operation is (for one cable and clamp) as follows:

- » the clamp is connected to the tank to be protected
- » the electronic circuit measures the electrical parameters of the connection loop searching for interruptions due to breaking or oxide. In tank-truck application, by means of an impedance measurements (resistance and capacitance), the MT30 detects if the clamp is connected to the tank-truck

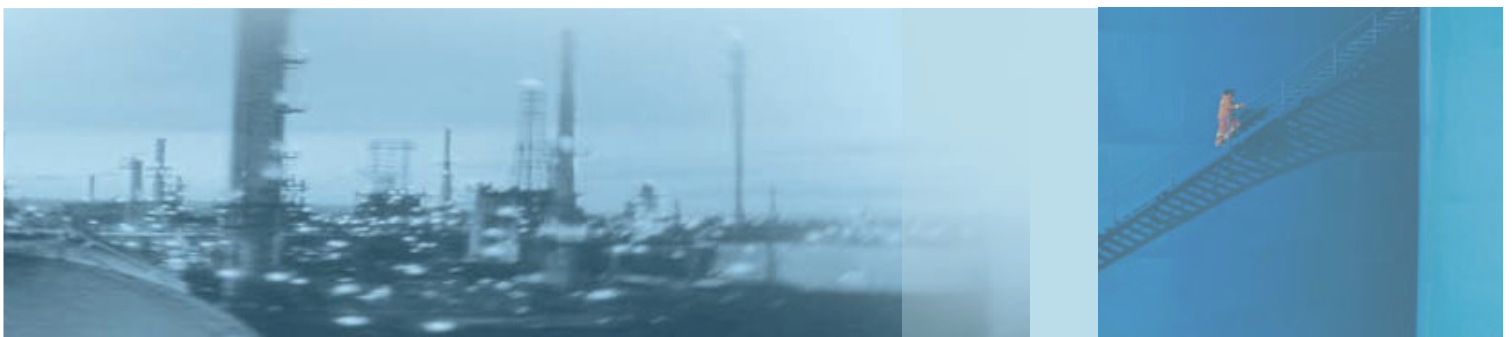
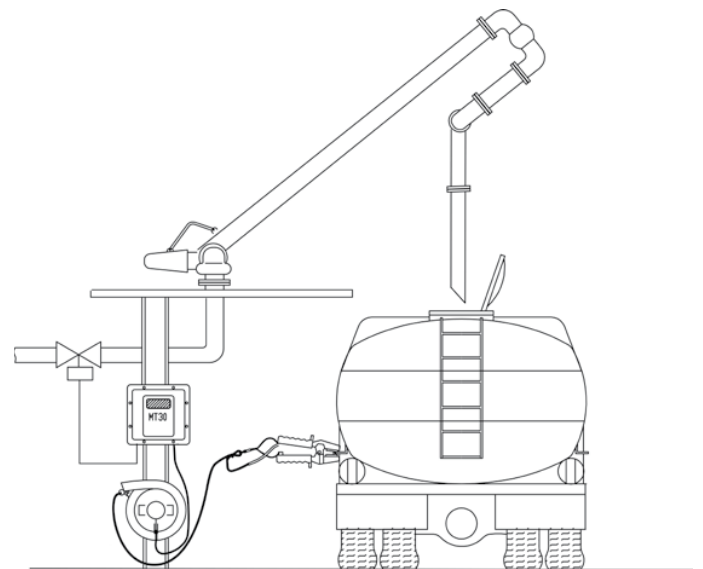
In case of a positive result:

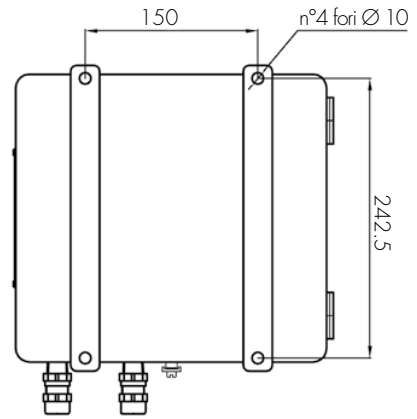
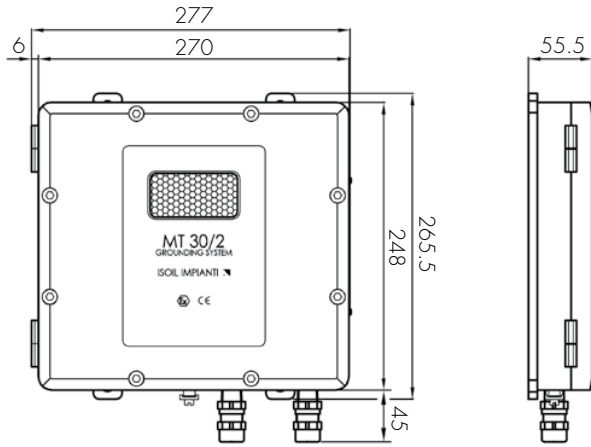
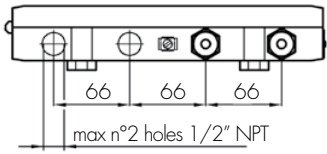
- » a ground relay is switched on and remains on during the loading operation
- » a LED indicator on the front cover switches from red to green
- » two internal relays, that can be used for pump or valves interlocking, switch on
- » the connection is supervised until the operation is completed, interrupting the operation suddenly in case of fail

The connection to the clamp (or clamps) is achieved through an intrinsically safe circuit; since the clamp is a "simple" mechanical contact, doesn't need Ex approval.

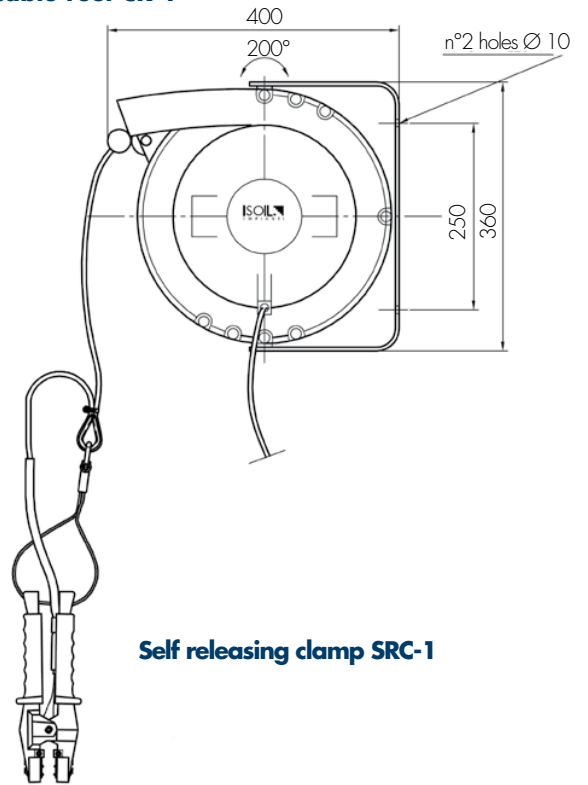
The microprocessor based electronics performs measurements, controls the LED panel and the relays and achieves unique features like:

- » external calibration (is not necessary to open the housing to calibrate the device). An additional row of LEDs indicates the sensibility level set
- » in case of particular weather conditions, authorised personnel can force the permissive signal using an identification key "transpoder"
- » the operation mode (resistive/capacitive) is programmable





**Cable reel CR-1**



# MT30 Grounding Unit

## General features

### Versions

MT30/1 one clamp; MT30/2 two clamps

### Environmental features

working temperature:  $-25^{\circ}\text{C} \div +55^{\circ}\text{C}$   
storage temperature:  $-40^{\circ}\text{C} \div +65^{\circ}\text{C}$   
moisture: 5÷95%

## Mechanical characteristics

### Housing

anodized aluminium alloy, left side hinges, hardened glass. Type of protection consistent with ATEX II 2(1) GD EEx-d [ia] IIB T6 T85°C. IP66 Wall mounting

**Dimensions** 277x265x55 mm

**Weight** 7 Kg

### Cable entrances

MT30/1 N°1 1/2"NPT with cable gland, N° 2 1/2"NPT without cable gland  
MT30/2 N°2 1/2"NPT with cable glands, N° 2 1/2"NPT without cable glands

## Electrical characteristics

### Power supply

115/230 VAC selectable

### Consumption

12 W

### Clamp output

intrinsically safe (separate terminal block)

### Display

red/green high efficiency LED matrix

### Calibration

external by identification key (transponder)

### Bypass

external by identification key (transponder)

### Permissive relays

2 SPDT contacts 250VAC/5A

### Communication line

RS 485

## Accessories

### Cable reel CR-1

aluminium alloy body

weight 11 kg

type of protection IP42

including cable 2x1,5 mm<sup>2</sup>

length 10m wound + 1 m free to the clamp + 3 m free to the MT30 unit

### Self releasing clamp SRC-2

two poles, aluminium alloy with Neoprene handles, stainless steel sharp contacts, 16 mm opening, self releasing



Isoil Impianti spa - Italy  
**24061 Albano S.Alessandro (Bg)**  
74, via Madonna delle Rose  
Phone +39 035 4239.011  
Fax +39 035 582078  
sales@isoil-impianti.it  
www.isoilmeter.com

Isoil Impianti spa - Italy  
Sales offices  
**20092 Cinisello Balsamo (Mi)**  
27, via F.lli Gracchi  
Phone +39 035 4239.011  
Fax +39 02 66012457

Isoil Impianti spa  
China Representative Office  
Rm 2203. China Garments Mansion  
99 Jianguo Road. Chaoyang District  
**100020. Beijing. P.R. China**  
Phone +86 10 6581 1618  
Fax +86 10 6581 1618  
china@isoilmeter.com