

MODEL PD202 GENERAL PURPOSE DIGITAL PRESSURE GAUGE



FEATURES

- Vacuum, compound pressure, 30 to 19,999 psi
- 0.5% FS Terminal Point Accuracy
- 4½ digit, 0.5" (12.7 mm) LCD
- Nine engineering units
- IP54 protective boot
- Battery powered

SPECIFICATIONS

Except where noted all specifications apply to operation at +25°C.

Type: General Purpose Digital Pressure Gauge

Pressure Input: Vacuum to 19,999 psi & compound; see other engineering units below

Display: 0.5" (12.7 mm), 4½ digit LCD, 19,999

Accuracy: 0.5% FS, Terminal Point

Backlight: Optional; manual or auto off

Bargraph: Four-level battery indication

Display Resolution:	Pressure Range	Resolution
	-15 to 0	-XX.000
	0 to 2	X.0000
	2 to 20	XX.000
	20 to 200	XXX.00
	200 to 2000	XXXX.0
	2000 to 19,999	XXXXX

Display Update Rate: 10/second

Case Size: 2½" diameter

Case Material: impact-resistant thermoplastic; color: black

Case Rating: IP54 with protective boot

Wetted Materials: 17-4 PH stainless steel sensor; 316 stainless steel socket

Socket Size: ¼" NPT

Socket Location: Lower connection, 6 o'clock

Mounting: Stem

Weight: 4.8 oz (136 g)

Power: Two AAA alkaline batteries included

Battery Life: >1000 hours

Overpressure:	Vacuum	0-3000	0-5000	0-9999
	0-1000	150%	120%	
Proof:	200%	300%	150%	
Burst:	800%	300%	150%	

Cycle Life: 10⁸ cycles 20-80% FS with negligible performance loss

Vibration: < ±0.1% FS effect for 0-2000 Hz @ 20 g in any axis

Shock: < ±0.05% FS effect for 100 g, 20 ms shock in any axis

Operating Temperature: -10 to 60°C

Storage Temperature: -20 to 70°C

Relative Humidity: 0 to 90% non-condensing

Leak Integrity: 1 x 10⁻³ std. cc/sec

Keypad Functions

On/Off: Manually turns unit on and off (programmable auto off settings: never, 5, 10, 20 minutes).

Zero/Clear: Zeros display or clears max & min values when values are displayed.

Max/Min: Displays max & min value when activated.

Backlight (optional): Manually turns backlight on and off; (programmable auto off settings: never, 30 sec, 1 min, or 5 min)

Engineering Units: psi, Bar, kg/cm², kPa, MPa, ftH₂O, inHg, cmHg, mmHg

Field Calibration: Zero and span

ORDERING INFORMATION

Model	Description
PD202-BL0-4N-##	General Purpose Digital Pressure Gauge
PD202-BK0-4N-##	General Purpose Digital Pressure Gauge with Backlight

Accessories	
Model	Description
PDA2006	Gauge Pouch for PD202
PDA2007	Protective Rubber Boot for PD202
PDN-ADHSTAG	Laminated Paper Tag Label
PDN-CERTCAL3	Certificate of Calibration (as shipped)
PDN-CERTCAL4	Cert of Cal (as received & as shipped)
PDN-CERTCON2	Certificate of Conformance

MODEL PD202 GENERAL PURPOSE DIGITAL PRESSURE GAUGE

General Purpose Gauge Pressure Ranges

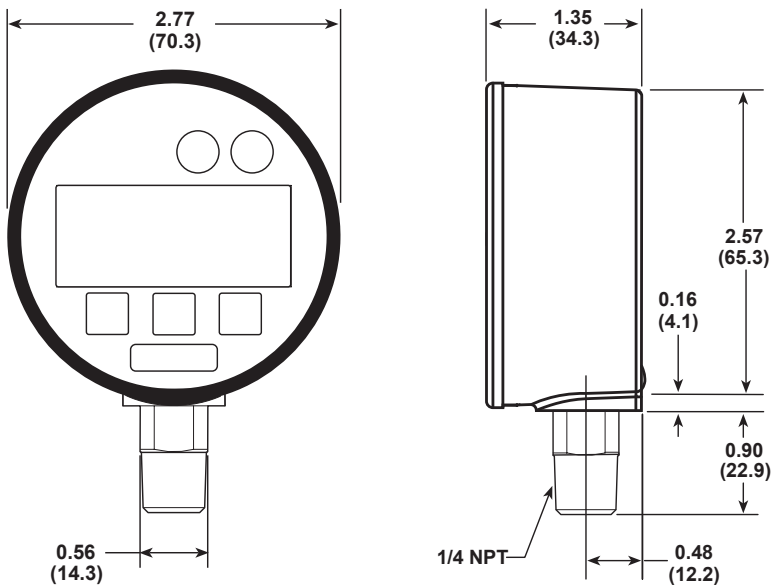
Vacuum					
inHg	kPa	cmHg	Bar	kg/cm ²	mmHg
-30	-100	-76	-1	-1	-760
Compound					
inHg/psi	kPa	MPa	Bar	kg/cm ²	ftH ₂ O
-30 to 30	-100 to 200	–	-1 to 2	-1 to 2	-35 to 70
-30 to 60	-100 to 400	–	-1 to 2	-1 to 2	-35 to 140
-30 to 100	-100 to 700	–	-1 to 2	-1 to 2	-35 to 230
-30 to 150	-100 to 1050	–	-1 to 11	-1 to 11	-35 to 350
-30 to 300	-100 to 2100	–	-1 to 21	-1 to 21	-35 to 700
Pressure					
psi	kPa	MPa	Bar	kg/cm ²	ftH ₂ O
30	200	–	2	2	70
60	400	–	4	4	140
100	700	–	7	7	230
200	1400	–	14	14	460
300	2100	–	21	21	700
500	3500	–	35	35	–
1000	7000	–	70	70	–
1500	–	10	105	105	–
2000	–	14	140	140	–
3000	–	21	210	210	–
5000	–	35	350	350	–
10,000	–	70	700	700	–
15,000	–	100	1000	1000	–
19,999	–	140	1400	1400	–

Pressure Range Code (##)		
	Range	Units
C2	-30/30	Compound inHg/psi
C3	-30/60	
C4	-30/100	
C5	-30/150	
C6	-30/300	
00	-30/0	Vacuum inHg
04	30	Pressure psi
05	60	
06	100	
08	200	
09	300	
10	500	
11	600	
12	800	
13	1000	
14	1500	
15	2000	
17	3000	
18	5000	
21	10,000	
22	15,000	
23	19,999	

Note: Additional codes will be provided upon request for other ranges listed.

General Purpose Gauge Dimensions

Units: Inch (mm)



YOUR LOCAL DISTRIBUTOR IS:

LDS202_A 06/05