

ExSense T SERIES HART SMART TEMPERATURE TRANSMITTERS

EXsense
series

Model PD312 HART®



Model PD306 HART®



Model PD310 HART®



Model PD301

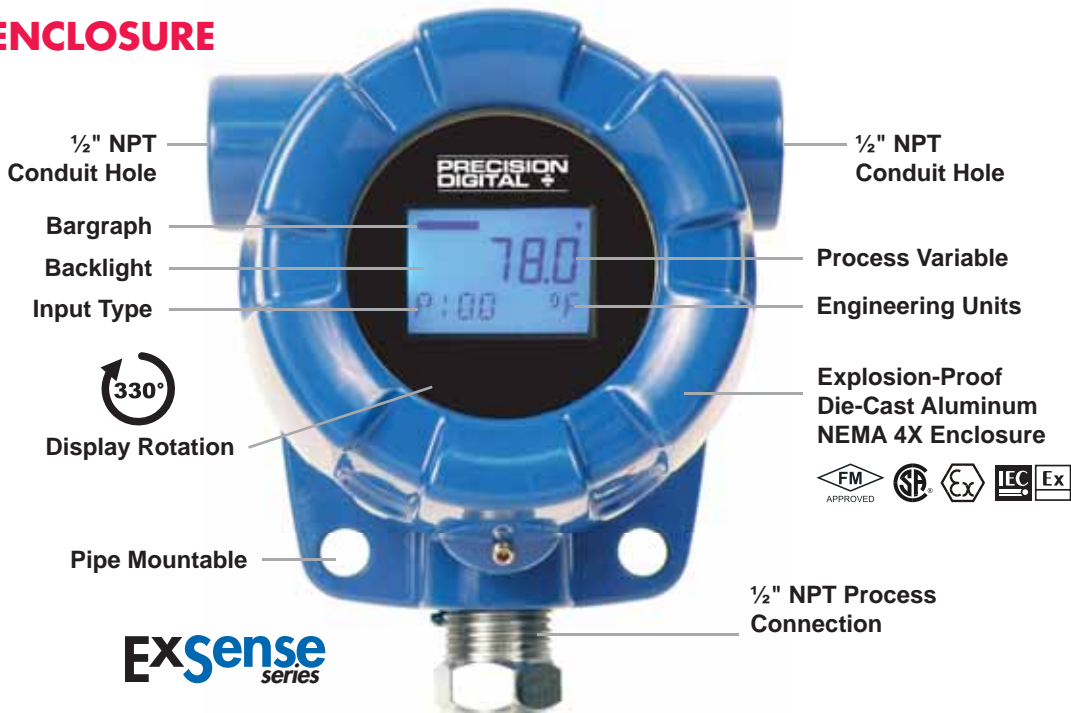


Model PD302 HART®

FEATURES

- Smart Temperature Transmitters with HART® Protocol
- Universal Input: RTD, TC, Ohm & mV Inputs
- Easy to Program with PC or HART Communicator
- Order Configured at the Factory Ready to Install
- Enhanced Display Model with 330° Rotatable Backlit LCD
- Display PV, Input Type, Eng Units & Bargraph
- Enhanced Display Model PD312 with Pt100 RTD
- Low-Cost Model PD301, PC Programmable
- 2-Wire Scalable 4-20 mA Output
- Galvanic Isolation Prevents Ground Loops
- Wide Voltage Range: 10.5 to 45 VDC
- Operating Temperature: -40 to 75°C
- Automatic Cold Junction Compensation for TC Inputs
- Protection Heads & Thermowells Available
- FM, CSA, ATEX, IECEx Explosion-Proof Enclosures

**DISPLAY & ENCLOSURE
FEATURES**



INTRODUCTION

The ExSense T Series is a line of smart temperature transmitters that include some models with HART® communication capability. These models can be configured using a HART modem and a PC running the free HART software provided, or they can be modified in the field using a handheld HART communicator. The other models can be configured using a USB modem and a PC running the free software provided. Enhanced displays models can be ordered with Pt100 RTD, J, K, T thermocouples; see Ordering Information for model numbers.

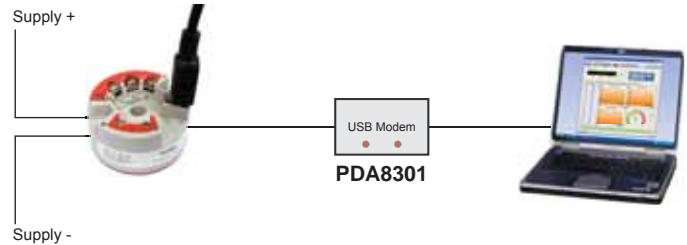
PD301-PD306 Head Mount Models

The head mount models are offered as: hockey-puck only (PD301 & PD302) which can be mounted inside a DIN Form B connection head, pre-mounted in a connection head (PD303 & PD304), and pre-mounted in a connection head with temperature probe (PD305 & PD306). The PD302, PD304, and PD306 include HART communication capability. Standard enclosed models have an aluminum connection head with a 1/2" NPT conduit hole and 1/2" NPT process opening for a probe, thermowell, or adaptor fitting, and are available with safe area (NEMA 4X, IP66 rated), or Certified explosion-proof housings. Non-standard models with other conduit hole and process opening sizes, as well as an optional stainless steel housing are available, see www.predig.com/ExSenseBuilder.

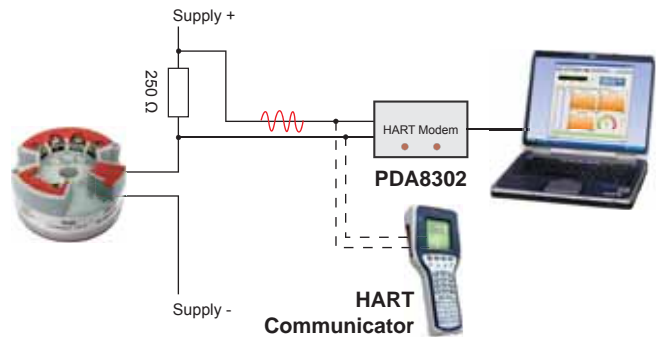
PD310 & PD312 Enhanced Display Models

The enhanced display models, with standard loop-powered backlight, let the user see the display under any lighting condition, and present valuable information such as the process variable, input type, engineering units, and bargraph. The display can be programmed to show the PV, mA output, or %. These models are housed in a sleek & rugged explosion-proof, NEMA 4X enclosure with two 1/2" NPT conduit holes, and one 1/2" NPT process sensor connection port for probe, thermowell, or adaptor fitting. Non-standard models with other conduit hole and process opening sizes are available, see www.predig.com/ExSenseBuilder. For remote mounting applications the PD310 may be ordered without the process sensor connection port. Both models are available with safe area (NEMA 4X, IP66 rated), or Certified explosion-proof enclosures.

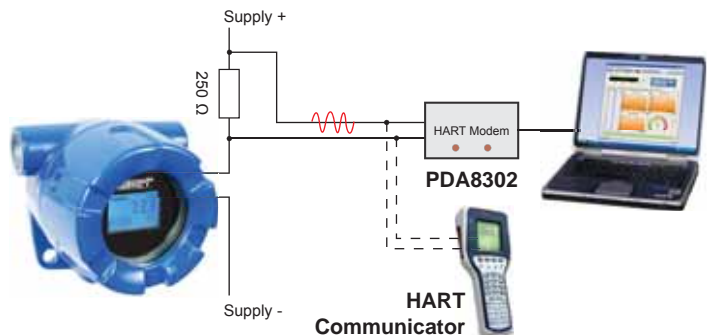
PROGRAMMING



PD301-PD306 PC Programming



PD302 HART Programming



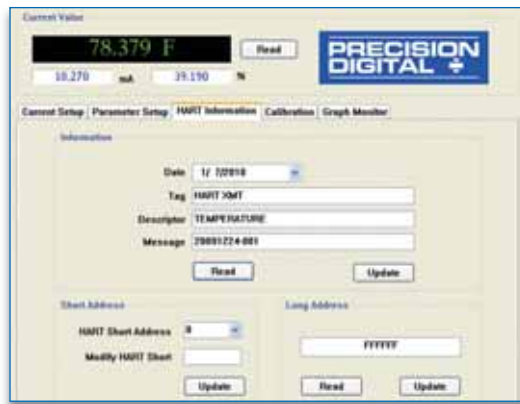
PD310 & PD312 HART Programming

PC Programming Software



The Current Setup window is used to trim the analog output to match the device reading the current. Click on Read and type the values in the boxes. Click on Update to upload the new values to the transmitter. Test your loop by selecting a Fix Loop value and clicking Send.

The Parameter Setup window is used to set up the input type, range for the 4-20 mA, temp units, and other settings related to the sensor and analog output. You can also select to display PV, mA, or %.



The HART Information window allows you to program or read the transmitter information and to modify the HART address.

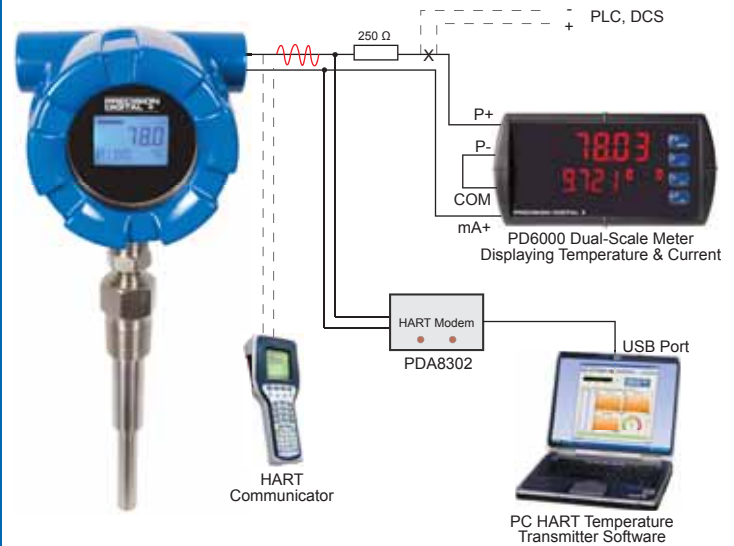
The Graph Monitor window is used to monitor the PV, mA, and %. You can also monitor just one of the variables. A log data file can be saved for later viewing; it contains the time, data value, and units. The screen update rate is selectable between 2 sec and 30 min.



APPLICATIONS

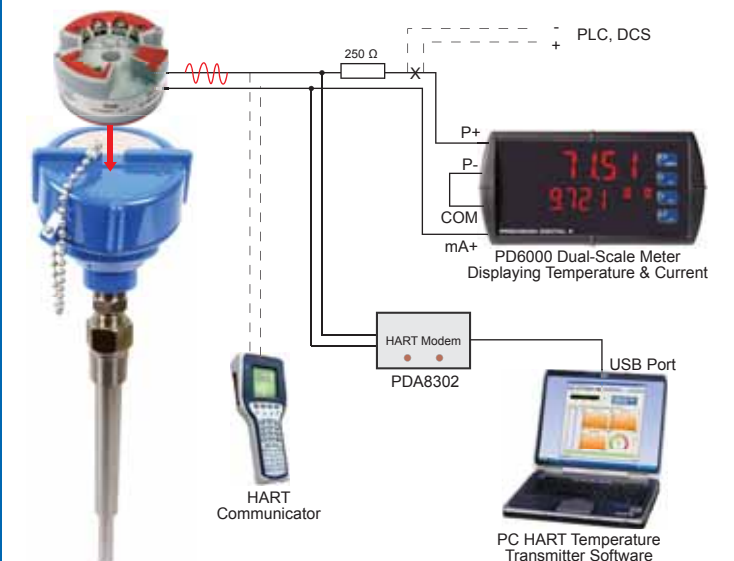
PD312 HART Transmitter & Remote Display

In this application the Smart HART Explosion-Proof Temperature Transmitter is being powered by the PD6000 dual-scale meter; the meter displays the temperature on the top and the mA current on the bottom display. A PLC, DCS, or other devices could be connected in the loop as shown. The 250 ohm resistor is the minimum loop resistance needed for HART communication with a HART modem or a HART communicator.



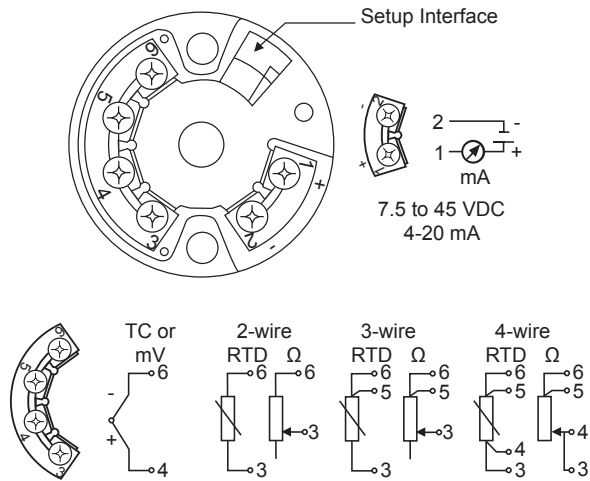
PD306 HART Head Transmitter & Remote Display

In this application the Smart Transmitter is mounted in the exp-proof protection head and is being powered by the PD6000 dual-scale meter. The HART communicator and HART modem are used during configuration or troubleshooting.

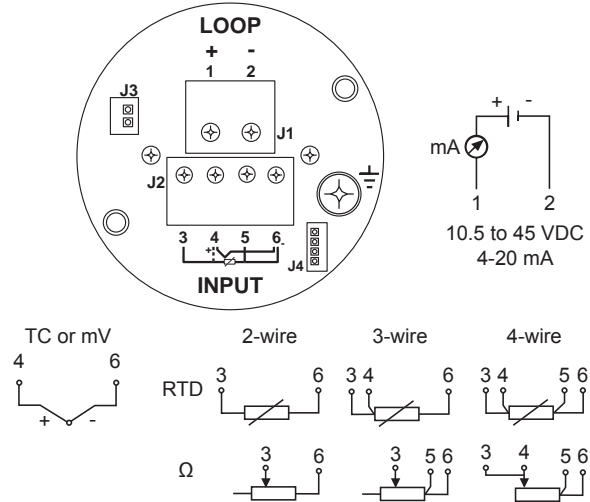


CONNECTIONS

PD301-PD306

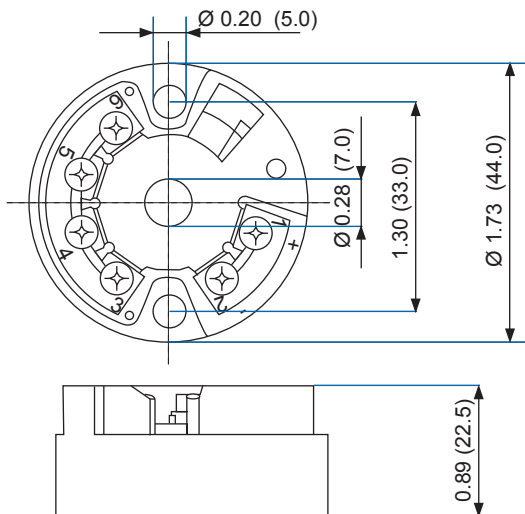


PD310 & PD312



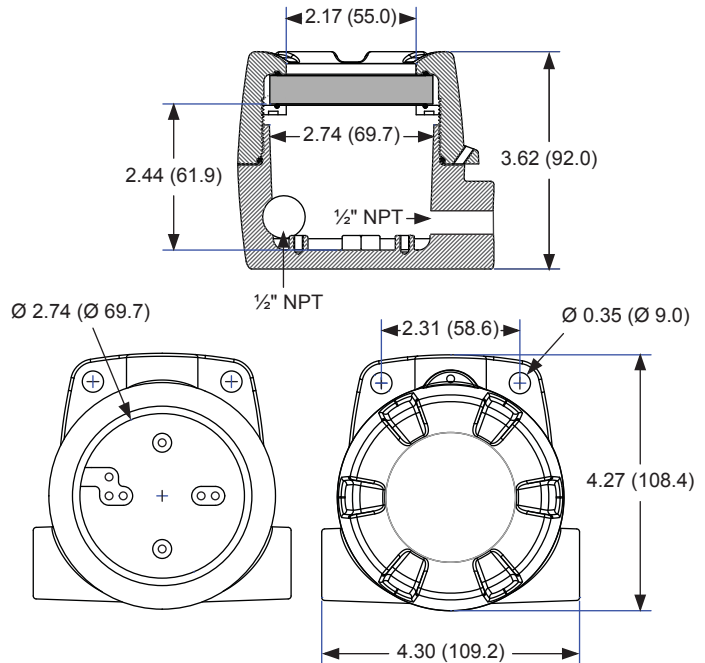
DIMENSIONS

PD301 & PD302

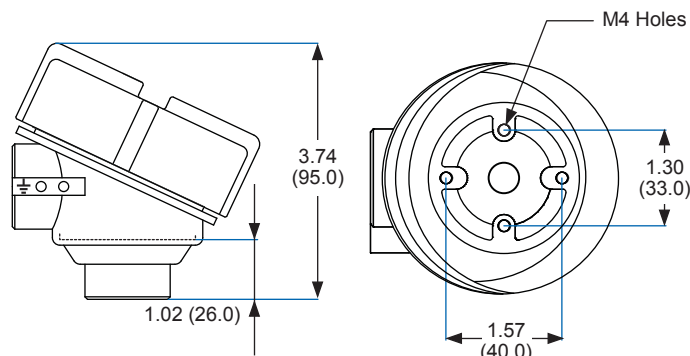


PD310 & PD312

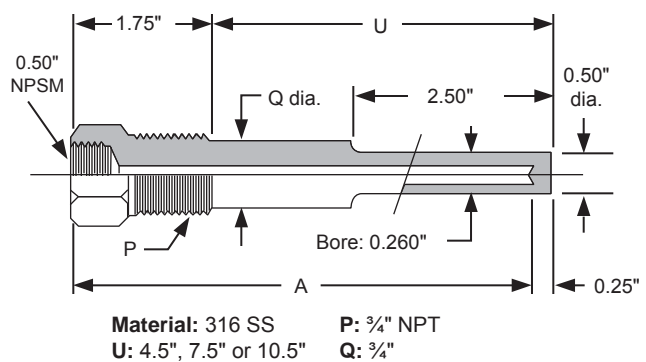
Units: Inch (mm)



PD303 & PD304



Thermowell Type T1



ACCURACY & RANGES

Input	Type	Input Range	Accuracy (% of Span)	Min Output Span (4-20 mA)
RTD	Pt100	-200 to 850°C (-328 to 1562°F)	±0.2°C or 0.08%	10°C (18°F)
	Pt500	-200 to 250°C (-328 to 482°F)	±0.5°C or 0.20%	10°C (18°F)
	Pt1000	-200 to 250°C (-328 to 482°F)	±0.3°C or 0.12%	10°C (18°F)
	Cu50	-50 to 150°C (-58 to 302°F)	±0.2°C or 0.08%	10°C (18°F)
	Cu100	-50 to 150°C (-58 to 302°F)	±0.3°C or 0.12%	10°C (18°F)
	Ni100	-60 to 180°C (-76 to 356°F)	±0.2°C or 0.08%	10°C (18°F)
	Ni500	-60 to 180°C (-76 to 356°F)	±0.5°C or 0.20%	10°C (18°F)
	Ni1000	-60 to 150°C (-76 to 302°F)	±0.3°C or 0.12%	10°C (18°F)
Potentiometer	Resistance	0 to 400 Ω	±0.1 Ω or 0.08%	10 Ω
		0 to 2,000 Ω	±1.5 Ω or 0.12%	100 Ω
TC	B	0 to 1820°C (32 to 3308°F)	±2.0°C or 0.08%	500°C (900°F)
	E	-270 to 1000°C (-454 to 1832°F)	±0.5°C or 0.08%	50°C (90°F)
	J	-210 to 1200°C (-346 to 2192°F)	±0.5°C or 0.08%	50°C (90°F)
	K	-270 to 1372°C (-454 to 2501°F)	±0.5°C or 0.08%	50°C (90°F)
	N	-270 to 1300°C (-454 to 2372°F)	±1.0°C or 0.08%	50°C (90°F)
	R	-50 to 1768°C (-58 to 3214.4°F)	±2.0°C or 0.08%	500°C (900°F)
	S	-50 to 1768°C (-58 to 3214.4°F)	±2.0°C or 0.08%	500°C (900°F)
	T	-270 to 400°C (-454 to 752°F)	±0.5°C or 0.08%	50°C (90°F)
	C	0 to 2320 °C (32 to 4208 °F)	±0.5°C or 0.08%	50°C (90°F)
	D	0 to 2320 °C (32 to 4208 °F)	±0.5°C or 0.08%	50°C (90°F)
Voltage	mV	-10 to 75 mV	±20µV or 0.08%	5 mV
		-100 to 100 mV	±20µV or 0.08%	5 mV
		-100 to 500 mV	±30µV or 0.08%	6 mV
		-100 to 2000 mV	±50µV or 0.08%	20 mV

ACCESSORIES

TC & RTD Protection Heads

- Exp-Proof Certified & General Purpose
- Aluminum & Stainless Steel
- NEMA 4X, IP66 Rated
- Stainless Steel Ball Chain



RTD Probes & Thermowells

RTD probes are offered in 6", 9", and 12" lengths and 1/4" diameter; other sizes are available upon request. Spring-loaded probes and thermowells are special order; please consult the factory for details.

CONNECTION HEADS

Material: Die-cast aluminum or 316 stainless steel
Certification: FM/CSA/ATEX Explosion-proof Certified, NEMA 4X, IP66 or general purpose without certification
Connections: Two 1/2" NPT for conduit and process connection; other sizes available upon request
Mounting Holes: Accept M4 screws, see dimensions drawing
Surface Finishing: Aluminum: Blue epoxy coated, Stainless steel: Electropolished
O-Ring: Buna-N
Weight: Aluminum: 0.450 kg (1.0 lbs), Stainless steel: 0.90 kg (2.0 lbs)
Features: SS ball chain included, terminal block (Ceramic/Bakelite optional)
Overall Dimensions: Dia. 3.5" x 4.0" (90 mm x 101.6 mm)

ORDERING INFORMATION

ExSense T Series • HART Smart Temperature Transmitters	
Base Model	Description
PD301	Head Mount Temperature Transmitter
PD302	HART Head Mount Temperature Transmitter
PD303	Temperature Transmitter with Connection Head
PD304	HART Temperature Transmitter with Connection Head
PD305	Temperature Transmitter with Connection Head & Temp Probe
PD306	HART Temperature Transmitter with Connection Head & Probe
PD310	HART Temperature Transmitter with Display
PD312	HART Temperature Transmitter with Display & Temperature Probe
PDA8301	USB Adapter for Head Mount Transmitter
PDA8302	HART to USB Modem
PDA1080WN	Safe Area Connection Head, Aluminum
PDA1080WM	Explosion-Proof Connection Head, Aluminum
PDA1080SM	Explosion-Proof Connection Head, Stainless Steel

Note: HART models must be configured using the HTTemp PC software and PDA8302 HART modem. The Input Type and Units cannot be changed with HART Communicators (e.g. HC275, HC375).

Go to www.predig.com/ExSenseBuilder to build a complete model number and get pricing.

- Example 1:** PD301-C0 Head mount temperature transmitter with factory defaults
Example 2: PD310-G2-C1 HART temperature transmitter with display, safe area, custom configuration
Example 3: PD312-A2-C1-P11-S06-T106
 PD312 = HART temperature transmitter with display & temperature probe
 A2 = Explosion-proof aluminum with 1/2" NPT conduit & process connection
 C1 = Custom configuration
 P11 = 100 Pt RTD with 6" leads
 S06 = Spring-loaded 6" probe
 T106 = Type 1 thermowell to match 6" spring-loaded probe
Example of Other Options:
 • C0 = Factory default configuration • G2 = General purpose enclosure for safe area
 • C2 = Custom configuration with Certificate of Calibration • R06 = 6" Rigid probe

SPECIFICATIONS

Except where noted all specifications apply to operation at 25°C.

General

Input: Universal RTD, TC, Resistance, or Voltage

Output: Two-wire 4-20 mA scalable

Accuracy: ±0.08% of span typical, see table for details

Temperature Drift: RTD: ±0.004°C/°C; TC: ±0.03°C/°C

Underrange: 3.8 mA

Overrange: 20.8 mA

Sensor Break: Selectable ≤3.6 mA Low Alarm or ≥22 mA High Alarm

Response Time: 1 second

Long Term Stability: Better than 0.05% per year

Start Up Time: Less than 5 seconds

Noise Filter: Programmable 0 to 85 µA

Damping Time: Programmable 0 to 30 sec

Output Resolution: 0.3 µA

Non-Volatile Memory: All programmed settings are stored in non-volatile memory for a minimum of ten years.

Relative Humidity: 0 to 90%, condensation allowed

Isolation: 2 kV input-to-output

Shock & Vibration Resistance: 4g/2 to 150 Hz as per IEC 60 068-26

EMC: Immunity & emission interference according to GB/T17626.2-1998), compliance with IEC 61000-4-3:1995

Warranty: 1 year parts & labor

PD301 & 302 Head Mount Smart Transmitter

Programming Method:

PD301: PDA8301 USB modem and PC software

PD302: PDA8301 USB or PDA8302 HART modem and PC software or field handheld HART communicator*

Power Supply: 7.5 to 45 VDC, reverse polarity protected

Load Impedance: 790 Ω @ 24 VDC max or ((V supply - 7.5 V)/0.0208 A) Ω

Operating Temperature: -40 to 85°C

Storage Temperature: -40 to 100°C

Connections: Screw terminals accept 12 to 22 AWG

Enclosure: Polycarbonate housing with epoxy potting, NEMA 1, IP00 (NEMA 4X, IP66 with PDA1080WM)

Weight: 1.18 oz (33.5 g)

Overall Dimensions: Dia. 1.73" x 0.89" (44 mm x 22.5 mm)

Installation Angle: No limit

Installation Area: Connection head according to DIN 43 729 Form B

PD303 & PD304 Head-Mounted Smart Transmitter

Programming Method:

PD303: PDA8301 USB modem and PC software

PD304: PDA8301 USB or PDA8302 HART modem and PC software or field handheld HART communicator*

Power Supply: 7.5 to 45 VDC, reverse polarity protected

Load Impedance: 790 Ω @ 24 VDC max or ((V supply - 7.5 V)/0.0208 A) Ω

Operating Temperature: -40 to 85°C

Storage Temperature: -40 to 100°C

Connections: Screw terminals accept 12 to 22 AWG

Enclosure: Aluminum or 316 SS mounting head NEMA 4X, IP66 with optional explosion-proof Certification

Weight: 1.0 lb (453.6 g)

Overall Dimensions: Dia. 3.5" x 4.0" (90 mm x 101.6 mm)

Installation Angle: No limit

Installation Area: Connection head according to DIN 43 729 Form B

* The Input Type and Units cannot be changed with HART Communicators (e.g. HC275, HC375).

Disclaimer

The information contained in this document is subject to change without notice. Precision Digital Corporation makes no representations or warranties with respect to the contents hereof, and specifically disclaims any implied warranties of merchantability or fitness for a particular purpose.

HART® is a registered trademark of the HART Communication Foundation.

©2010 Precision Digital Corporation. All rights reserved.

PD305 & PD306 Head-Mounted Smart Transmitter with Thermowell and/or Probe

Programming Method:

PD305: PDA8301 USB modem and PC software

PD306: PDA8301 USB or PDA8302 HART modem and PC software or field handheld HART communicator

Power Supply: 7.5 to 45 VDC, reverse polarity protected

Load Impedance: 790 Ω @ 24 VDC max or ((V supply - 7.5 V)/0.0208 A) Ω

Operating Temperature: -40 to 85°C

Storage Temperature: -40 to 100°C

Connections: Screw terminals accept 12 to 22 AWG

Enclosure: Aluminum or 316 SS mounting head NEMA 4X, IP66 with optional explosion-proof Certification

Weight: 1.0 lb (453.6 g) plus probe/thermowell weight

Overall Dimensions: Dia. 3.5" x 4.0" (90 mm x 101.6 mm) plus probe/thermowell length

Installation Angle: No limit

Installation Area: Connection head according to DIN 43 729 Form B

PD310 & 312 Exp-Proof Smart Transmitter

Display: PV: 0.3" (8 mm) 5-digit LCD, Input & Units: 0.2" (5 mm)

Bargraph: 52 segments with 2% resolution

Backlight: Loop-powered, always on

Programming Method: PDA8302 HART modem and PC software or field handheld HART communicator

Power Supply: 10.5 to 45 VDC, reverse polarity protected

Load Impedance: 650 Ω @ 24 VDC max or ((V supply - 10.5 V)/0.0208 A) Ω

Operating Temperature: -40 to 75°C

Storage Temperature: -40 to 100°C

Connections: Screw terminals accept 12 to 22 AWG

Enclosure: Explosion-proof or general purpose die-cast aluminum, 0.3% max copper content, NEMA 4X, IP66; two ½" NPT conduit holes, one ½" NPT process connection; other sizes available upon request.

Enclosure Approvals: *FM:* Explosion-proof for Class I, Division 1, Groups B, C and D; dust-ignition-proof for Class II/III, Division 1, Groups E, F and G, hazardous (classified) locations, indoors and outdoors (Type 4X/IP66)

CSA: Explosion-proof for Class I, Division 1, Groups B, C and D; dust-ignition-proof for Class II/III, Division 1, Groups E, F and G, hazardous (classified) locations, indoors and outdoors (Type 4X/IP66)

ATEX: II 2 G D, Ex d IIC, Ex tD A21, IP68, Ta = -40°C to +85°C

IECEX: Ex d IIC, Ex A21 tD, IP68, Ta = -40°C to +85°C

Weight: 2.42 lb (1.10 Kg)

Overall Dimensions: 4.30" x 4.27" x 3.62" (109.2 x 108.4 x 92.0)

(W x H x D), probe and thermowell are not included

Your Local Distributor is:

LDS300_B 03/10

www.predig.com