

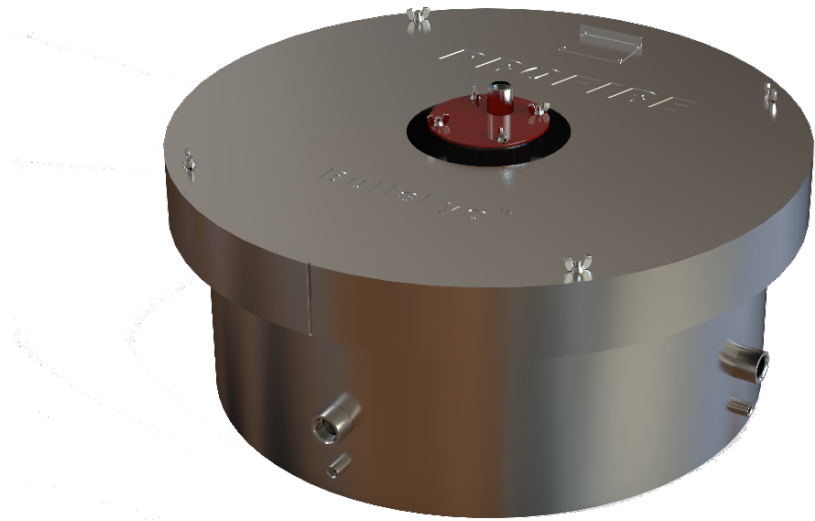
PROFIRE

PF BULLSEYE™ FLAME ARRESTOR



HINGED & CLAMPED HOUSING

SINGLE BODY HOUSING



Profire BullsEye™ Flame Arrestor Housings are designed for use on a wide array of heated process and production applications. The Flame Arrestor Housing is a critical safety component for naturally drafted heaters. Each Profire BullsEye™ Flame Arrestor has been designed and manufactured to prevent flame propagation, which could lead to unsafe site conditions. The Flame Arrestor cell, mounted in each Flame Arrestor Housing, is designed to dissipate the flame below the fuels lower explosive limit. The main functions of the Flame Arrestor Housing include:

- Operator and site safety
- Adequate air supply for complete and efficient combustion
- Reduction in abatement noise of the burner
- Reduce and prevent air contaminants from entering the firetube

PF BULLSEYE™ FLAME ARRESTOR SIZES

PF BullsEye™ Flame Arrestor Housings - Single Body

Model Number	Flame Arrestor Cell Diameter	BTU/hr	Style
FAH012MAZ	12"	250,000	Single body
FAH016MAZ	16"	500,000	Single body
FAH020MAZ	20"	750,000	Single body
FAH024MAZ	24"	1,000,000	Single body
FAH030MAZ	30"	1,750,000	Single body

PF BullsEye™ Flame Arrestor Housings - Hinged and Clamped

Model Number	Flame Arrestor Cell Diameter	BTU/hr	Style
FAH020MBC	20"	750,000	Hinged & Clamped
FAH024MBC	24"	1,000,000	Hinged & Clamped
FAH030MBC	30"	1,750,000	Hinged & Clamped
FAH036MBC	36"	2,500,000	Hinged & Clamped

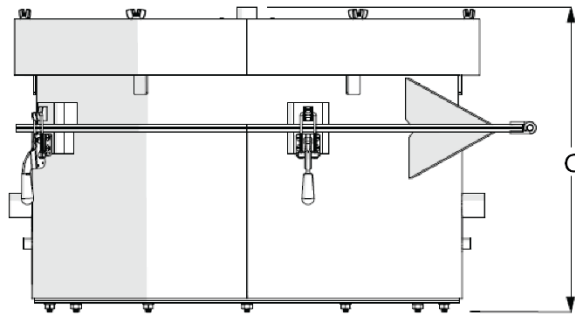
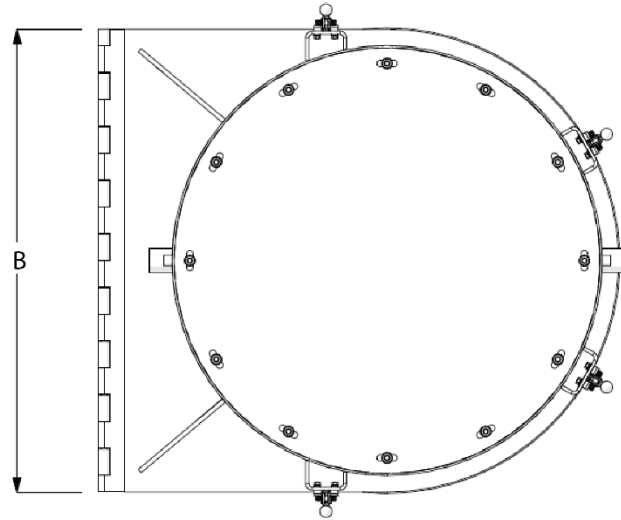
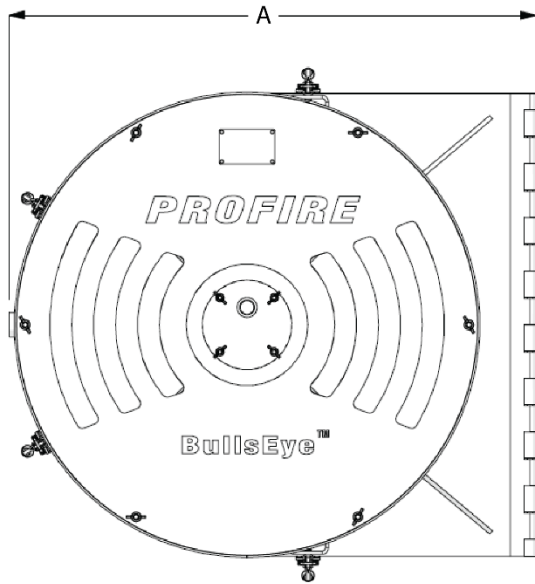
INSTALLATION CHECKS

- A gasket must be installed between the flame arrester flange and the firetube flange. Ensure that the gasket is in good condition with no damage.
- Ensure arrester housing has no visible damage to the construction, including welds, gas, and electrical connections.
- Inspect the flame arrester cell for any noticeable damage to the integrity of the cell.
- Each arrester housing includes connections for gas and electrical components. Ensure that all connections are plugged appropriately if not used.
- Check that all hardware is in place such as clamps, hinges, and wingnuts.

MAINTENANCE

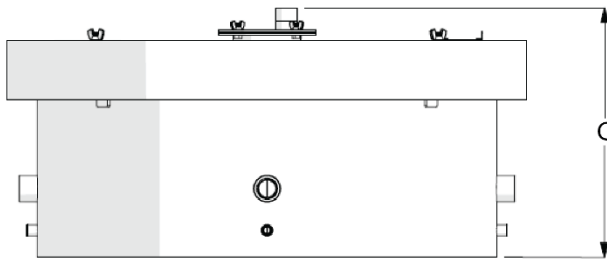
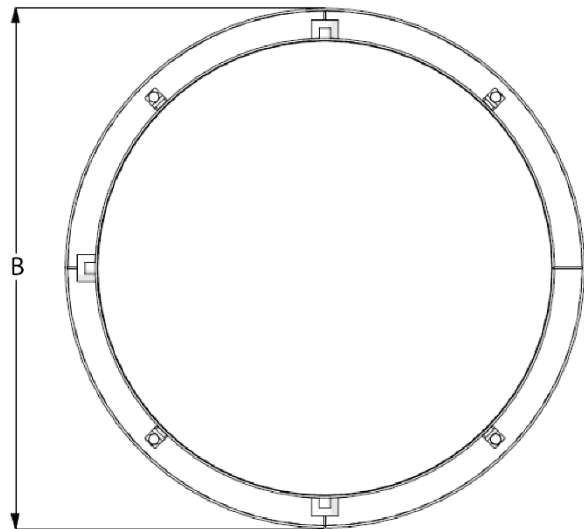
- Regular maintenance of the flame arrester cell is critical to the proper function and efficiency of the heater.
- A maintenance program should be put in place to regularly check the cell for cleanliness and function. Please contact Profire to schedule your preventative maintenance program.

HINGED & CLAMPED DIMENSIONAL DRAWINGS



Arrestor Size	Dimensions in Inches			Dimensions in Millimeters		
	A	B	C	A	B	C
20"	26.40	22.24	19.38	670.5	565	492.3
24"	30.85	26.65	17.94	783.5	677	455.8
30"	37.84	33.27	21.88	961.1	845	555.8
36"	44.81	40.08	23.89	1138.1	1018	606.8

SINGLE BODY DIMENSIONAL DRAWINGS



Arrestor Size	Dimensions in Inches			Dimensions in Millimeters		
	A	B	C	A	B	C
12"	16.32	16.32	16.42	414.6	414.6	417
16"	20.27	20.27	16.42	515	515	417
20"	24.25	24.25	16.42	616	616	417
24"	28.26	28.26	16.42	718	718	417
30"	34.25	34.25	16.42	870	870	417

QUESTIONS?

If you have any concerns or questions about the PF Bullseye™ Flame Arrestor please contact us or visit us at profireenergy.com.

UNITED STATES

1.801.796.5127

321 South, 1250 West Suite 1

Lindon, UT 84042, USA

support@profireenergy.com

CANADA

1.780.960.5278

9671 – 283 Street Acheson

Edmonton, Alberta T7X 6J6, Canada

support@profireenergy.com



Rev 1.1

UNITED STATES

1.801.796.5127

321 South, 1250 West Suite 1

Lindon, UT 84042, USA

support@profireenergy.com

CANADA

1.780.960.5278

9671 – 283 Street

Acheson, Alberta T7X 6J6, Canada

support@profireenergy.com